



ColorBright™
**RGB + Dynamic Tunable White
LED Strip Light**

Product Data Sheet



RGB COLOR CHANGING

DYNAMIC TUNABLE WHITE

Description

Our Outdoor (IP65) ColorBright™ RGB + Dynamic Tunable White LED Strip Light really is an LED strip light for all occasions. Combining two strips in one, it allows for the creation of countless colors and multiple shades of white light in a smooth and vibrant line of light, thanks to its 5-in-1 5050 LED chips, which total 18 chips per foot.

This product is for those who love to control every aspect of their lives, starting with their lights. Perfect for spaces that require the flexibility of multiple types of light, such as bars, restaurants, clubs and casinos, as well as places that benefit from creative lighting solutions such as schools, hospitals, churches and more. The IP65 rating means that the LED strip lights are able to withstand jets and splashes of water from all sides. It cannot be submerged in water, but it will withstand the elements. We also recommend outdoor lights for use indoors in high splash areas or if you're looking for a strip that is easier to clean.

7 Year
Warranty



Product Features

CCT	2400K-6500K
CRI	High CRI of 90+ (For White Section)
Voltage	24V DC Input
Lumens	Up to 266 lm/ft (872 lm/m)
Efficacy	Up to 76 lm/W
LEDs/ft	18 LEDs/ft (60/meter)
Beam Angle	120° Beam Angle
Ambient Temp	-4°F to +104°F (-20°C to 40°C)
LED Pitch	3/4" (17 mm)
Strip Width	5/8" (14 mm)
Cutting Points	Every 4" (101 mm)
PCB	3 oz copper
Max Run Length in Series	23 ft (7 m) using 3 channels 16.4ft (5 m) all channels on
LED Size	5050
Adhesive Type	3M 9495 tape (IP65)
Dimmable	Yes
Spool Size	16.4 ft (5 m)



Product Specifications

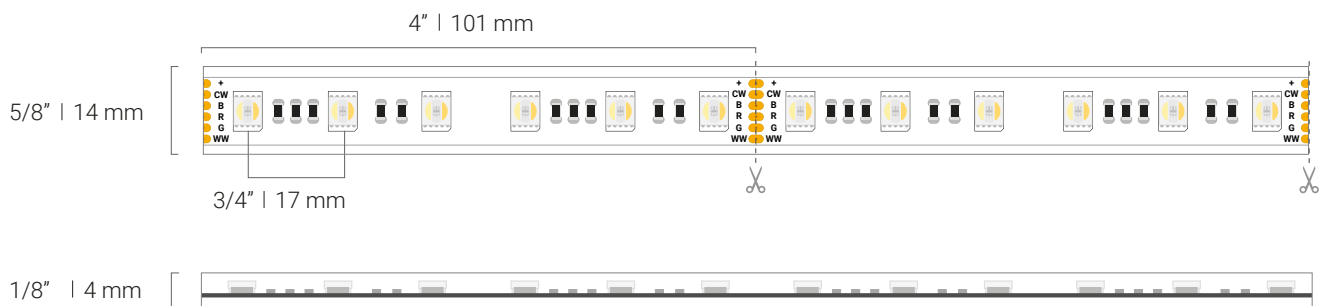
Product SKU	Color* (CCT)	Watts / Foot (Meter)	Lumen / Foot (Meter)	Luminous Efficacy (Lumens / Watt)	CRI	Gamut Score Rg (Color Sat.)	Relative Fidelity Score (RF)	TLCI (Qa)	CQS
	All channels on	5.5 W/ft (18 W/m)	260 lm/ft (853 lm/m)	49	64	109	75	56	82
IP65-CB-RGBDYN-2465K-24V-16FT	2400K	1.1 W/ft (3.6 W/m)	113 lm/ft (371 lm/m)	68	94	100	93	92	94
	6500K	1.1 W/ft (3.6 W/m)	109 lm/ft (357 lm/m)	77	95	97	89	94	91

*CCT may be +/-100K but always ordered from same bin and will present no noticeable differences perceived by the human eye.

Ordering Code

IP Protection	Brand	Series	CCT	Voltage	Length
IP65	CB	RGBDYN	2465K	24V	16FT
Weatherproof	ColorBright	RGB + DYN Series	2400K - 6500K		16 ft Reel

Dimensions

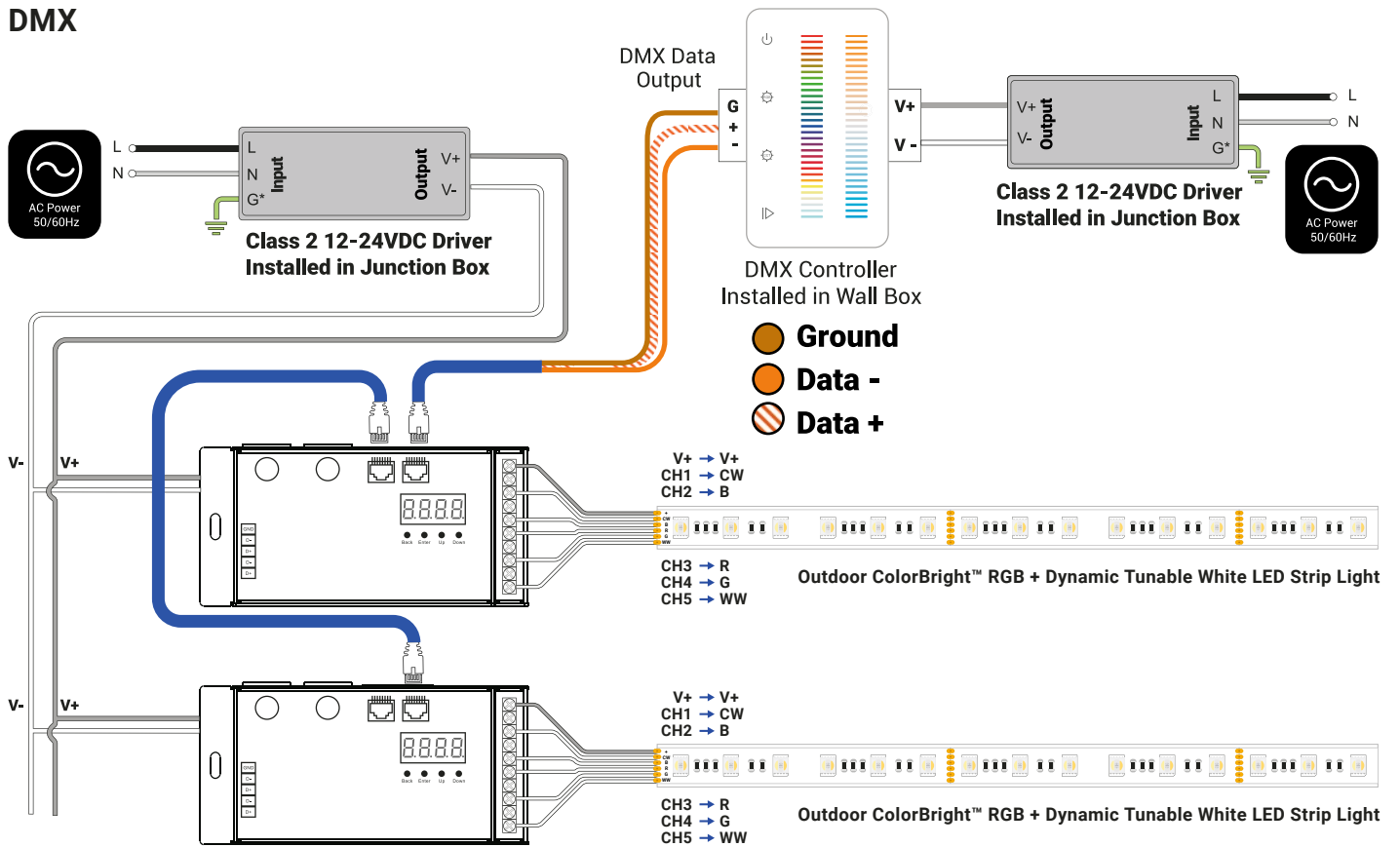


Dimming Options

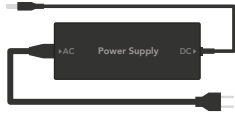


PWM Dimming



DMX




Compatible Drivers

Power Supply	LED Strip Length	Watts	Product SKU	Diagram
Plug-In Power Supply	1 - 3 ft	24 W	24V-WMPS2-1	
	4 - 8 ft	60 W	24V-DPS2-2.5	
	9 - 13 ft	96 W	24V-DPS2-4	
	14 - 17 ft	120 W	24V-DPS2-5	
Mean Well™ HLG	1 - 6 ft	40 W	HLG-40H-24A	
	7 - 9 ft	60 W	HLG-60H-24A	
	10 - 16 ft	96 W	HLG-100H-24A	
	17 - 19 ft	120 W	HLG-120H-24A	
	20 - 30 ft	185 W	HLG-185H-24A	
	31 - 39 ft	240 W	HLG-240H-24A	
	40 - 52 ft	320 W	HLG-320H-24A	
	53 - 98 ft	600 W	HLG-600H-24A	
Mean Well™ LPV	1 - 3 ft	20 W	LPV-20-24	
	4 - 5 ft	36 W	LPV-35-24	
	6 - 9 ft	60 W	LPV-60-24	

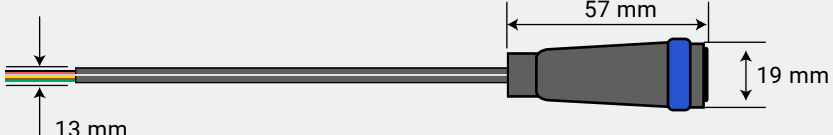
x1


- Weatherproof C1 Connector (Female)



x1

- Weatherproof C1 Connector (Male)






x10

- Mounting Bracket


Width - 6 mm
Length - 28 mm



x2

- End Cap

Width - 14 mm
Height - 6 mm



x2





- End Cap (with 6 holes for lead wires)

Width - 14 mm
Height - 6 mm

Wire Color Pinout	Strip
Black	Positive (+)
Red	Red (R)
White	Cool White (CW)
Yellow	Warm White (WW)
Brown	Green (G)
Green	Blue (B)

Strip Light Connectors

NOTE: Please keep in mind that the following connectors are designed for use with IP20 LED strip lights, and therefore should not be used outdoors. Using these connectors with our Outdoor (IP65) ColorBright™ RGB + Dynamic Tunable White LED Strip Light will immediately bring the IP rating of this strip down to an IP20 rating. For IP65-rated installations, please use the IP65 connectors included with the strip.

SKU	Description	Wire Gauge	Amperage** Limit	Diagram
GRIP-RGBDYN-C1-12-0-5*	Attaches LED strip directly to a Power Supply/Driver, low voltage control or DC source.	-	5 Amps	
GRIP-RGBDYN-C1-12-12-5* GRIP-RGBDYN-C1-12-36-5*	Attaches LED strip directly to a Power Supply/Driver, low voltage control or DC source.	20 AWG		
GRIP-RGBDYN-C2-12-06-5*	Attaches two sections of LED strip together. Wire lead allow for turns around tight corners.			
GRIP-RGBDYN-C3-12-0-5*	Attaches two sections of LED strip together in a continuous run.	-		

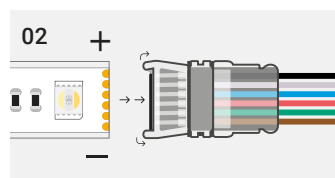
* Calculate max length of LED strip to follow the solderless connector based on an amperage draw of 0.229 A/ft (0.75 A/m) at 24 volts.

** Be sure no more than 5 amps is drawn after any solderless connector.

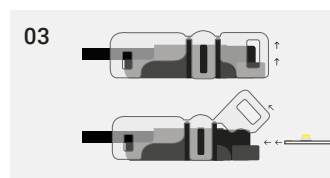
Installation



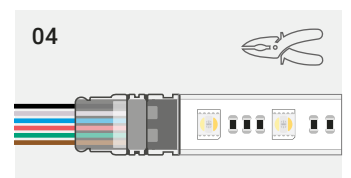
Remove 1/4" of 3M adhesive tape on the back from the end of the strip that you want to connect. It must be removed to allow it to fit properly with the solderless connector.



Double check the polarity of the strip to match the positive (+) markings together and negative (-) markings together. If you accidentally close the connector before you're ready, you can use a small flathead screwdriver to pry the top back open.



Open the top of the grip connector and insert the LED strip inside. Make sure the LED strip is facing up towards the translucent top and the solder pads are directly above the small hooks on the connector.



Once everything is in order, use pliers to close and lock the connector. You may hear a "click" sound when it is properly closed.

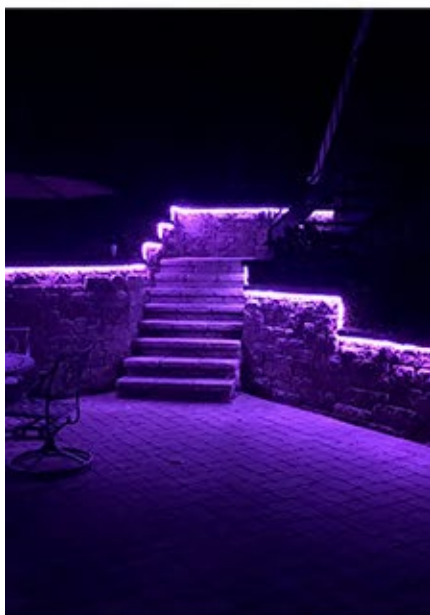
NOTE:

Soldering is the preferred method. If you need further assistance, please download our Solderless Connector Installation

Compatible Aluminum Extrusions

Flexfire LEDs Mounting Channel Kits

Name	Type	Included Accessories	Covers	Kit SKU	Mockup
Atlas™	Surface Mount	2 Open End Caps 2 Closed End Caps 4 Metal Mounting Clips	Clear Cover Frosted Cover Matte Cover	ATL-CH-A-CVR-C-1M ATL-CH-A-CVR-F-1M ATL-CH-A-CVR-M-1M	
Gemini™	Surface Mount	2 Open End Caps 2 Closed End Caps 4 Metal Mounting Clips	Clear Cover Frosted Cover Matte Cover 1	SKU: GEM-CH-A-CVR-C-1M SKU: GEM-CH-A-CVR-F-1M SKU: GEM-CH-A-CVR-M-1M	
Ion™	Surface Mount	-	-	SKU: ION-CH-A-1M	
Nova™	Surface Mount	2 Open End Caps 2 Closed End Caps 4 Metal Mounting Clips	Clear Round Cover Clear Square Matte Round Cover Matte Square Cover	SKU: NOV-CH-A-CVR-C-RD-1M SKU: NOV-CH-A-CVR-C-SQ-1M SKU: NOV-CH-A-CVR-M-RD-1M SKU: NOV-CH-A-CVR-M-SQ-1M	
Titan™	Surface Mount	2 Open End Caps 2 Closed End Caps 4 Metal Mounting Clips 6 Channel Connectors	Clear Cover Frosted Cover Matte Cover	TTN-CH-A-CVR-C-1M TTN-CH-A-CVR-F-1M TTN-CH-A-CVR-M-1M	
Calypso™	Recessed	2 Open End Caps 2 Closed End Caps 4 Metal Mounting Clips 6 Channel Connectors	Frosted Cover Matte Cover	CAL-CH-A-CVR-F-1M CAL-CH-A-CVR-M-1M	
Cassini™	Recessed	2 Open End Caps 2 Closed End Caps 4 Metal Mounting Clips	Clear Cover Frosted Cover Matte Cover	SKU: CAS-CH-A-CVR-C-1M SKU: CAS-CH-A-CVR-F-1M SKU: CAS-CH-A-CVR-M-1M	
Phoenix™	Recessed	2 Open End Caps 2 Closed End Caps 6 Channel Connectors	Frosted Cover Matte Cover	SKU: PHO-CH-A-CVR-F-1M SKU: PHO-CH-A-CVR-M-1M	



Safety And Disclosures

1. Installation must be in accordance with local and national electrical code regulations.
2. To ensure safety and correct installation, our strips are intended to be installed by a qualified, licensed electrician.
3. Only install with a Class 2 DC Constant Voltage LED driver to meet UL requirements.
4. Do not install in environment where excessive heat may exist.
5. LED strip lights must be handled with care. Excessive handling, bending, and pressure may damage the product, voiding the warranty.
6. Do not install indoor LED tape light products in outdoor / wet location environments. Only use copper wiring. Use wires rated for at least 176°F (80°C) and certified for use with external connection of electrical equipment.
7. Each maximum run requires a dedicated power feed from the driver. Do not extend beyond the recommended maximum run length.
8. Make sure the appropriate gauge wire is installed between driver, LEDs, and any dimmers. When choosing wire, calculate voltage drop, maximum amperage rating, and the location ratings on the wire. Improper wire selection and installation could overheat wires, and cause fire.
9. Do not modify product beyond instructions or warranty will be void.
10. We reserve the right to modify and improve the design of our fixtures without prior notice. Although we try our best to order the same colors every time, due to changes in technology and phosphors over time, we cannot guarantee to match existing installed fixtures for subsequent orders or replacements in regards to product appearance, CCT, or lumen output.

Warranty Information

Limited Warranty

This product has a 7 year limited warranty from the date of shipment. This warranty only includes the main product outlined in this specification sheet and does not include the additional accessories that are used as a reference. Complete warranty details for fixtures and additional accessories are available at <https://www.flexfireleds.com/warranties/> within the Policies section. For warranty related questions please contact product support team at (support@flexfireleds.com).

Consumer's Acknowledgment

Flexfire LEDs, Inc. stands behind its products when they are used properly and according to our specifications. When you purchase our products, you are agreeing to the terms and conditions outlined in our warranty section. We try our best to make recommendations, but the burden of proper installation, design, and maintenance relies on the purchaser.

This limited warranty does not include product failures that are the result of:

Not using a voltage regulated power supply to connect the LED product or controls; Connecting LED products to the wrong output voltage; Improper connection of power supplies, LED products, or controls; Connecting LED products or controls directly to any AC power source if they are stated for DC only input; Connecting power supplies backwards to an AC power source; Products used in an inappropriate location or in environmental conditions (temperature, humidity, moisture, etc.) outside the normal specified range; Water damage to products not specifically sold as waterproof products; Electrical power surges and spikes; Damage from hail, flooding, tornado, fire, wind, earthquake, lightning, electrical storm, or any other natural disasters or "force majeure" incidences; Damage caused by a vehicle or other accident; Damage caused when transporting the item; Damage to any products that were modified by the user, used for purposes other than as intended or directed, or connected to LED systems or components not purchased from Flexfire LEDs; Products that have been subjected to misuse, mishandling, misapplication or accident. Products used in connection with any components, devices or systems other than those explicitly approved as compatible with Company's products and listed on Company's website. Excessive wear and tear and/or physical or accidental abuse, loss, or theft. Improper repairs or warranty services performed by someone other than Flexfire LEDs will void this warranty.

Contact Information



Toll Free Number:
1-844-353-9347



Local Number:
(925) 273-9080



info@flexfireleds.com



FLEXFIRELEDs

www.flexfireleds.com