

PRODUCT DATA SHEET

ColorBright™
White Series



15 Year
Warranty



Description

The ColorBright™ White Series LED light strips are created with high intensity LED chips mounted on a flexible printed circuit board (FPCB) with a strong 3M adhesive backing. Sometimes referred to as "LED tape lights," the flexible design of LED strips allows for the addition of beautiful and pure white light in almost any space you can imagine. The ColorBright™ White LED strips are a great way to provide professional grade, bright and comfortable accent lighting that will last for many years.

Product Features

- High CRI of 80+
- Highest Brightness - Up to 266 Lumen/ft (871/Meter)
- Fully dimmable
- Highest quality components and premium packaged 3528 LEDs
- Single BIN LED selection to ensure color consistency (3-Step MacAdam)
- Thermally Resistant 3M VHB 4930 adhesive for long lasting bond
- 120° Beam Angle
- Efficiency up to 92 lm/W
- Only 5/16" (8mm) strip width
- Short LED pitch of 5/16" (8mm)
- 12V or 24V DC Input Options
- 12V version can be cut every 1" (25.4mm)
- 24V version can be cut every 2" (50.8mm)
- 36 LEDs / Foot (120 / Meter)
- Thick double layer 2 oz copper PCB for excellent thermal management
- Operating Temperature -4°F to +104°F (-20°C to 40°C)
- Maximum Length in Series 32ft 10in (10 Meters)

Product Specific Specifications

Product SKU	Color* (CCT)	Watts / foot (Meter)	Lumen / foot (Meter)	Luminous efficacy (Lumens / Watt)	CRI	Gamut Score Rg (Color Sat.)	Relative Fidelity Score (RF)
CB-24K	2400K	2.9 W/ft 9.6 W/m	234 lm/ft (769 lm/m)	81 lm/W	83	92	82.4
CB-27K	2700K	2.9 W/ft 9.6 W/m	264 lm/ft (864 lm/m)	91 lm/W	83	92.1	87.4
CB-30K	3000K	2.9 W/ft 9.6 W/m	263 lm/ft (870 lm/m)	91 lm/W	85	96.4	82.8
CB-42K	4200K	2.9 W/ft 9.6 W/m	266 lm/ft (871 lm/m)	92 lm/W	83	92.1	80.6
CB-62K	6200K	2.9 W/ft 9.6 W/m	263 lm/ft (862 lm/m)	91 lm/W	83	97.4	80.3

*CCT may be +/-100K but always ordered from same bin and will present no noticeable differences perceived by the human eye.

Ordering Code

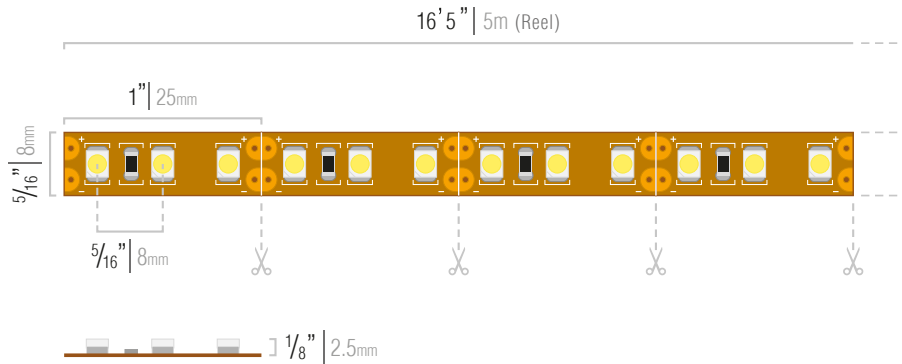
INDOOR

Brand	CCT	Voltage	Length
CB - ColorBright™	24K - 2400K	12V	01 FT - 01 ft Reel
	27K - 2700K	24V	04 FT - 04 ft Reel
	30K - 3000K		08 FT - 08 ft Reel
	42K - 4200K		16 FT - 16 ft Reel
	62K - 6200K		98 FT - 98 ft Reel*

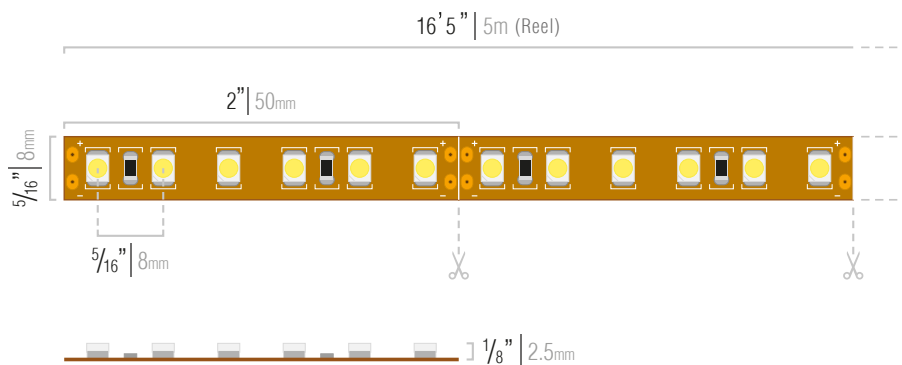
* Only available in 27K and 30K.

Dimensions

12V



24V



Example Installation and Layout

IN SERIES

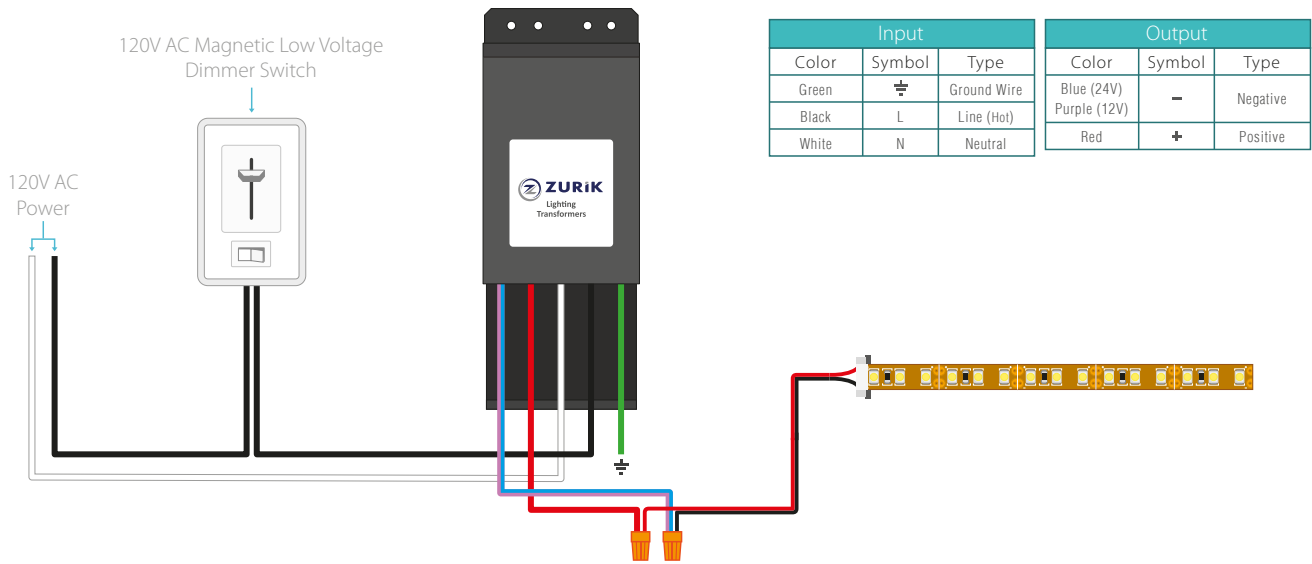


IN PARALLEL

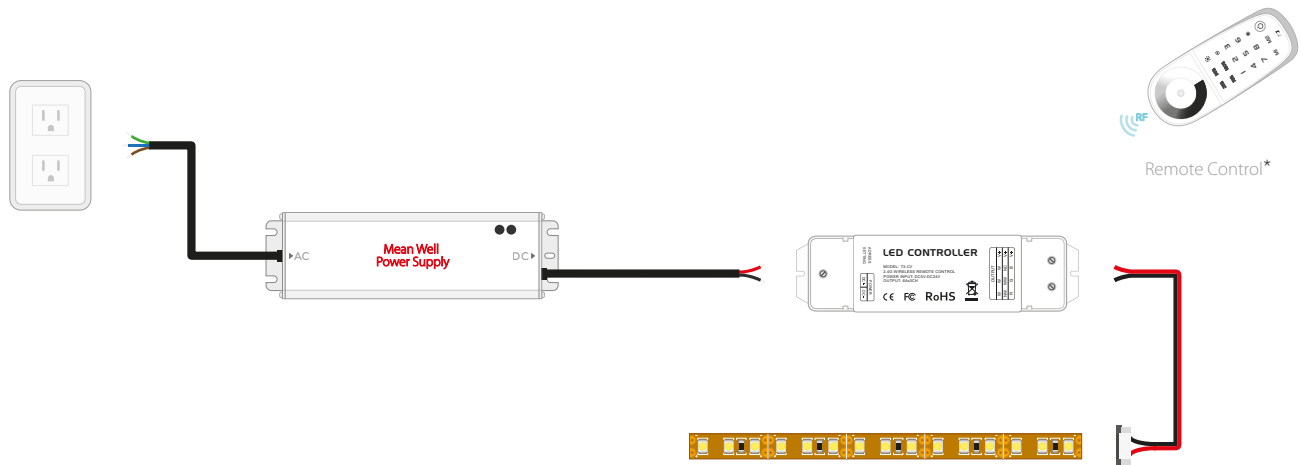


Dimming Options

Lutron Style Wall Dimmer



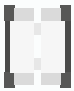


In-Line Dimming



Remote Control (SKU: SC-MZ-CTRL) can be paired to 8 total receivers. Multiple remotes cannot be paired to a single receiver (max 1 remote per receiver).

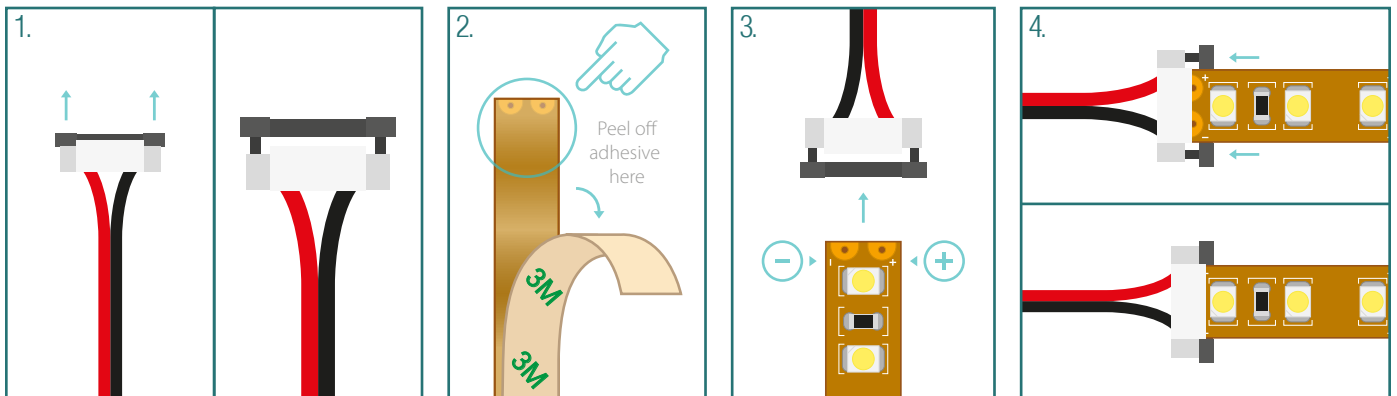
Strip Light Connectors

SKU	Description	Wire Gauge	Amp Limit**	Mockup
CB-C1*	Attaches LED strip directly to a Power Supply/Driver, low voltage control or DC source.	22 AWG	5 Amps	
CB-C2*	Attaches two sections of LED strip together. Wire lead allows for turns around tight corners.	22 AWG		
CB-C3*	Attaches two sections of LED strip together in a continuous run.	-		

* Calculate max length of LED strip to follow the solderless connector based on an amperage draw of 0.24 amps per foot (0.79 A/m) at 12 volts, or at 24 volts use 0.12 A/ft (0.40 A/m).

** The max continuous run of the White Series LED strip is 32 feet (10 meters). Be sure no more than 5 amps is drawn after any solderless connector.

Solderless Connection Guide

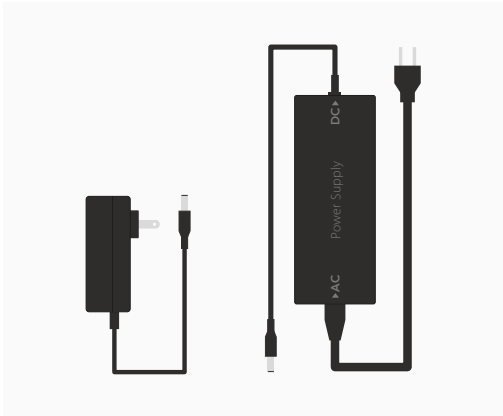


1. The solderless connectors have a plastic housing with a small black tray on the underside. Pull the black plastic tray out until the tray stops. The tray will only pull out approximately 2-3mm, don't try to pull it out farther. *See Diagram 1*
2. Remove 1/4" of 3M adhesive tape on the back from the end of the strip that you want to connect. It must be removed to allow it to fit properly with the solderless connector. *See Diagram 2*
3. Slide the connector into the end of the LED strip by holding the tray out as you slide it in. Make sure the tray does not move into a locked position until the connector is all the way in. *See Diagram 3*
4. Once the LED strip is inserted into the solderless connector, close the black tray underneath by pinching the wings on the side of the connector (inward, toward the connector's housing). *See Diagram 4*

NOTE: Soldering is the preferred method. If you need further assistance, please download our Solderless Connector Installation Guide from our website

Compatible Drivers (12V only)

Wall Mounted Power Supply / Desktop Power Supply



LED Strip Length

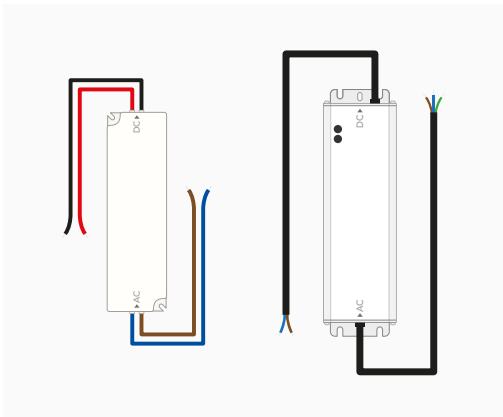
- 1 - 3 ft
- 4 - 6 ft
- 7 - 13 ft
- 14 - 20 ft
- 21 - 26 ft

SKU

- 12V-WMPS-1
- 12V-DPS-2
- 12V-DPS-4
- 12V-DPS-6
- 12V-DPS-8

Mean Well HLG

Mean Well LPV



LED Strip Length

- 1 - 11 ft
- 12 - 17 ft
- 18 - 35 ft
- 36 - 43 ft
- 44 - 53 ft
- 54 - 74 ft
- 75 - 140 ft

SKU

- HLG-40H-12A
- HLG-80H-12A
- HLG-120H-12A
- HLG-150H-12A
- HLG-240H-12A
- HLG-320H-12A
- HLG-600H-12A

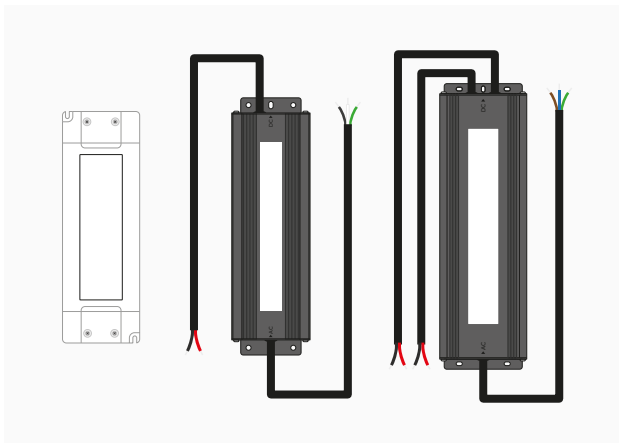
LED Strip Length

- 1 - 6 ft
- 7 - 10 ft
- 11 - 17 ft
- 18 - 28 ft

SKU

- LPV-20-12
- LPV-35-12
- LPV-60-12
- LPV-100-12

Zurik EMLV



LED Strip Length

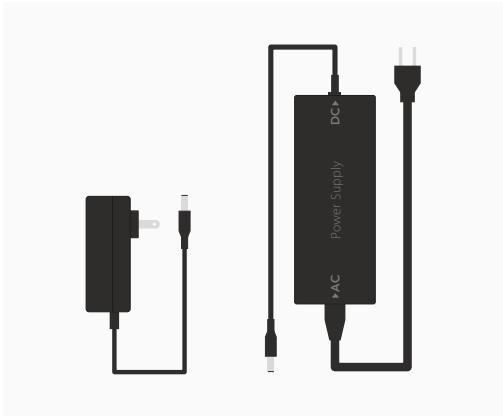
- 1 - 8 ft
- 9 - 17 ft
- 18 - 35 ft
- 36 - 58 ft
- 59 - 87 ft

SKU

- ZRK-EMLV2-30W-12VDC
- ZRK-EMLV2-60W-12VDC
- ZRK-EMLV2-120W-12VDC-J
- ZRK-EMLV2-200W-12VDC-J
- ZRK-EMLV2-300W-12VDC-J

Compatible Drivers (24V only)

Wall Mounted Power Supply / Desktop Power Supply



LED Strip Length

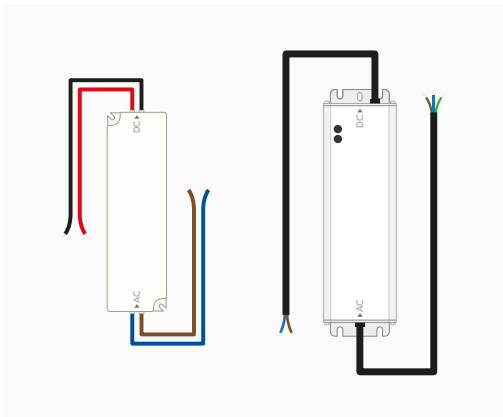
- 1 - 6 ft
- 7 - 16 ft
- 17 - 26 ft
- 27 - 33 ft

SKU

- 24V-WMPS-1
- 24V-DPS-2.5
- 24V-DPS-4
- 24V-DPS-5

Mean Well HLG

Mean Well LPV



LED Strip Length

- 1 - 12 ft
- 13 - 18 ft
- 19 - 29 ft
- 30 - 37 ft
- 38 - 57 ft
- 58 - 74 ft
- 75 - 99 ft
- 100 - 186 ft

SKU

- HLG-40H-24A
- HLG-60H-24A
- HLG-100H-24A
- HLG-120H-24A
- HLG-185H-24A
- HLG-240H-24A
- HLG-320H-24A
- HLG-600H-24A

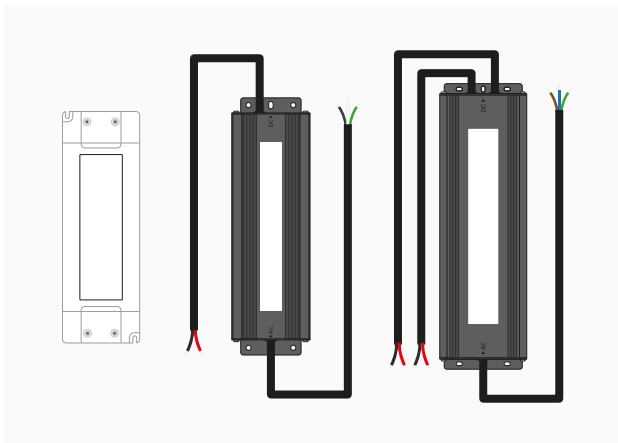
LED Strip Length

- 1 - 6 ft
- 7 - 10 ft
- 11 - 17 ft

SKU

- LPV-20-24
- LPV-35-24
- LPV-60-24

Zurik EMLV



LED Strip Length

- 1 - 8 ft
- 9 - 17 ft
- 18 - 28 ft
- 29 - 35 ft
- 36 - 58 ft
- 59 - 88 ft

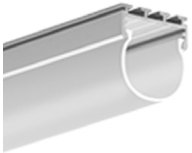
SKU

- ZRK-EMLV2-30W-24VDC
- ZRK-EMLV2-60W-24VDC
- ZRK-EMLV2-96W-24VDC-J
- ZRK-EMLV2-120W-24VDC-J
- ZRK-EMLV2-200W-24VDC-J
- ZRK-EMLV2-300W-24VDC-J

Compatible Aluminum Extrusions

▶ GIZA Anodized Extrusion

(SKU: KL-B5556ANODA-1m)



Covers

- HS 22 Clear Cover (SKU: KL-17022-1m)
- HS 22 Frosted Cover (SKU: KL-17011-1m)

End Caps

- GIZA End Cap without Wire Hole (SKU: KL-24007)

Mounting Accessories

- GP Surface Spring (SKU: KL-00293)
 - minimum surface thickness 10mm (3/8")
- Mounting Bracket (SKU: KL-24143)

▶ 45-ALU Anodized Extrusion

(SKU: KL-B4023ANODA-1m)



Covers

- HS Clear Cover (SKU: KL-1370-1m)t
- HS Frosted Cover (SKU: KL-1369-1m)
- LIGER Frosted Cover (SKU: KL-17031-1m)

End Caps

- 45-ALU End Cap without Wire Hole (SKU: KL-1383)
- 45-ALU End Cap with Wire Hole (SKU: KL-1440)

Mounting Accessories

- Zinc Mounting Bracket (SKU: KL-24144)
- NOTE:** All solderless connectors do not fit inside this aluminum extrusion.

▶ KLUS MICRO-ALU Anodized Extrusion

(KL-B1888ANODA-1m)



Covers

- HS Clear Cover (SKU: KL-1370-1m)t
- HS Frosted Cover (SKU: KL-1369-1m)
- LIGER Frosted Cover (SKU: KL-17031-1m)

End Caps

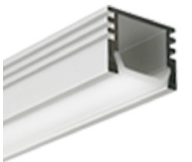
- MICRO-ALU End Cap without Wire Hole (SKU: KL-1059)
- MICRO-ALU End Cap with Wire Hole (SKU: KL-1060)

Mounting Accessories

- Zinc Mounting Bracket (SKU: KL-24190)
- NOTE:** All solderless connectors do not fit inside this aluminum extrusion.

▶ KLUS PDS4-ALU Anodized Extrusion

(KL-B1718ANODA-1m)



Covers

- HS Clear Cover (SKU: KL-1370-1m)t
- HS Frosted Cover (SKU: KL-1369-1m)
- LIGER Frosted Cover (SKU: KL-17031-1m)

End Caps

- PDS4-ALU End Cap without Wire Hole (SKU: KL-1055)
- PDS4-ALU End Cap with Wire Hole (SKU: KL-1057)

Mounting Accessories

- Zinc Mounting Bracket (SKU: KL-24190)
- NOTE:** All solderless connectors do not fit inside this aluminum extrusion.

▶ KLUS TAMI Anodized Extrusion

(KL-B5390ANODA-1m)



Covers

- Comes with Translucent Cover

End Caps

- Eco TAMI End Cap (SKU: KL-20051)

Mounting Accessories

- Zinc Mounting Bracket (SKU: KL-24190)
- NOTE:** All solderless connectors do not fit inside this aluminum extrusion.

▶ KLUS KOPRO Anodized Extrusion

(KL-B6367ANODA-1m)



Covers

- KOPRO-L Cover (SKU: KL-17092-1)

End Caps

- KOPRO-L End Cap (SKU: KL-24116)

Mounting Accessories

- GP Surface Spring (SKU: KL-00293)
 - minimum surface thickness 10mm (3/8")
- Mounting Bracket (SKU: KL-24143)

▶ KLUS LIPOD Anodized Extrusion

(SKU: KL-B5554ANODA-1m)



Covers

- HS 22 Clear Cover (SKU: KL-17022-1m)
- LIGER 22 Frosted Cover (SKU: KL-17032-1m)

End Caps

- LIPOD-MET End Cap (SKU: KL-24051)

Mounting Accessories

- GP Surface Spring (SKU: KL-00293)
 - minimum surface thickness 10mm (3/8")
- Mounting Bracket (SKU: KL-24143)

Safety And Disclosures

1. Installation must be in accordance with local and national electrical code regulations.
2. To ensure safety and correct installation, our strips are intended to be installed by a qualified, licensed electrician.
3. Only install with a Class 2 DC Constant Voltage LED driver to meet UL requirements.
4. Do not install in environment where excessive heat may exist.
5. LED strip lights must be handled with care. Excessive handling, bending, and pressure may damage the product, voiding the warranty.
6. Do not install indoor LED tape light products in outdoor / wet location environments. Only use copper wiring. Use wires rated for at least 176°F (80°C) and certified for use with external connection of electrical equipment.
7. Each maximum run requires a dedicated power feed from the driver. Do not extend beyond the recommended maximum run length.
8. Make sure the appropriate gauge wire is installed between driver, LEDs, and any dimmers. When choosing wire, calculate voltage drop, maximum amperage rating, and the location ratings on the wire. Improper wire selection and installation could overheat wires, and cause fire.
9. Do not modify product beyond instructions or warranty will be void.
10. We reserve the right to modify and improve the design of our fixtures without prior notice. Although we try our best to order the same colors every time, due to changes in technology and phosphors over time, we cannot guarantee to match existing installed fixtures for subsequent orders or replacements in regards to product appearance, CCT, or lumen output.

Warranty Information

Limited Warranty

This product has a 15 year limited warranty from the date of shipment. This warranty only includes the main product outlined in this specification sheet and does not include the additional accessories that are used as a reference. Complete warranty details for fixtures and additional accessories are available at <https://www.flexfireleds.com/warranties/> within the Policies section. For warranty related questions please contact product support team at (support@flexfireleds.com).

Consumer's Acknowledgment

Flexfire LEDs, Inc. stands behind its products when they are used properly and according to our specifications. When you purchase our products, you are agreeing to the terms and conditions outlined in our warranty section. We try our best to make recommendations, but the burden of proper installation, design, and maintenance relies on the purchaser.

This limited warranty does not include product failures that are the result of:

Not using a voltage regulated power supply to connect the LED product or controls; Connecting LED products to the wrong output voltage; Improper connection of power supplies, LED products, or controls; Connecting LED products or controls directly to any AC power source if they are stated for DC only input; Connecting power supplies backwards to an AC power source; Products used in an inappropriate location or in environmental conditions (temperature, humidity, moisture, etc.) outside the normal specified range; Water damage to products not specifically sold as waterproof products; Electrical power surges and spikes; Damage from hail, flooding, tornado, fire, wind, earthquake, lightning, electrical storm, or any other natural disasters or "force majeure" incidences; Damage caused by a vehicle or other accident; Damage caused when transporting the item; Damage to any products that were modified by the user, used for purposes other than as intended or directed, or connected to LED systems or components not purchased from Flexfire LEDs; Products that have been subjected to misuse, mishandling, misapplication or accident. Products used in connection with any components, devices or systems other than those explicitly approved as compatible with Company's products and listed on Company's website. Excessive wear and tear and/or physical or accidental abuse, loss, or theft. Improper repairs or warranty services performed by someone other than Flexfire LEDs will void this warranty.