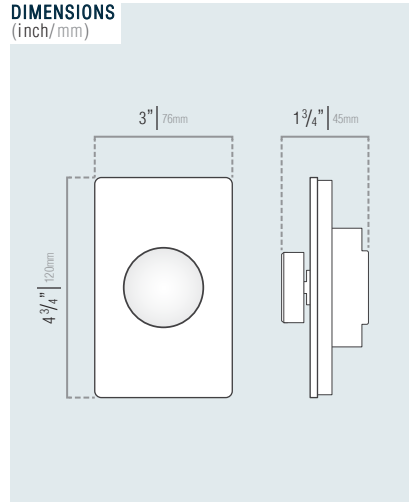
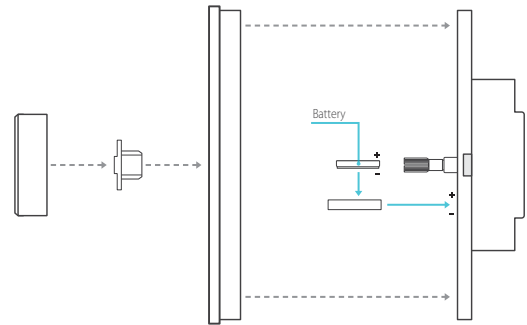


Control



DISASSEMBLY



IMPORTANT

Before you get started, you must remove the plastic battery insulation tab. You can do this by removing the knob along with the plastic washer behind it, then use a small tool such as a flat head screwdriver to pry open the dimmer from the bottom. Now that you have access to the battery, you can pull out the plastic battery insulation tab.

DETAILS

PRODUCT NAME Wireless Wall Dimmer for RGB Color Changing Series

SKU

- **Color White:** FF - RGB - WALL - W
- **Color Black:** FF - RGB - WALL - B

DESCRIPTION The Flexfire LEDs Wireless Desktop Dimming System is as easy to use as it is beautiful. The shiny black finish and minimalistic design makes the remote perfect in any design situation. With a dimming range of 0.1% - 100% you can control the brightness of your LED strip lights to create a perfect flicker-free setting. The wireless desktop dimmer works with radio frequency (RF) and can dim the LEDs within 100ft of the receiver.

Each wireless desktop or wall dimmer can control an infinite amount of wireless receivers. However only 8 desktop or wall dimmers can be synchronized to a single receiver. This allows for a lot of flexibility when it comes to installation and wireless control.

BATTERY CR2032 Battery (3V DC)

WIRELESS RANGE 98 ft (30 m)

SYNC INSTRUCTIONS

1. Remove the cover on the right side of the receiver.
2. Insert positive and negative wires from the power source (5-24V DC) into the input of the receiver.
3. Tap the learning key button one time.
4. Tap the rotary knob on the wall or desktop wireless dimmer one time.

FUNCTIONS

- **Turn system ON/OFF:** Push rotary knob one time on the wireless dimmer until you hear it click.
- **Increase brightness of light:** Turn rotary knob to the right
- **Decrease brightness of light:** Turn rotary knob to the left
- **Set Red, Green, and Blue Levels to Maximum Output:** While ON, press and hold the rotary knob to turn all RGB channels to maximum brightness achieving a blueish-white maximum output of the RGB color changing LED strip light.
- **Change Colors:** While ON, double click the rotary knob to enter into color adjustment mode. Turn the rotary knob left and right until the desired color is found.
- **Return to Dimming Mode:** Double click the rotary knob again to go back to dimming mode, allowing you to control the brightness of the entire RGB color changing LED strip collectively.