



Leona® Pro Smart Home Controller

Product Data Sheet





Leona® Pro Smart Home Controller

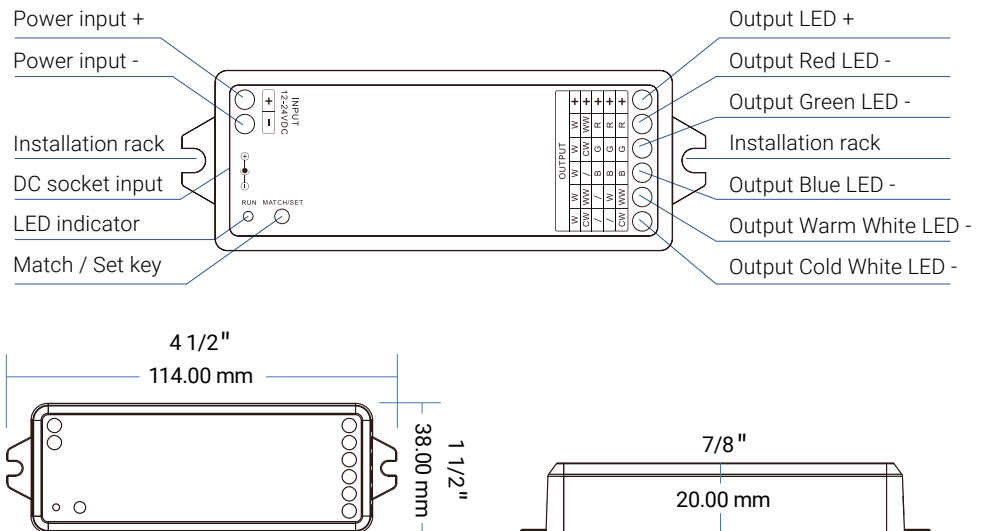
Product Data Sheet



Features

- 5-in-1 color controller able to control White/Single Color, Tunable White, RGB, RGBW, and RGB+Tunable White LED fixtures.
- DC power socket/hardwire input with 5 channel constant voltage output.
- Leona® Smart app compatible for functions such as timers, color changing, scene support and more.
- Voice control capable when used with Amazon Alexa or Google Home.
- Match with an optional handheld RF remote.
- Sync to your phone over Wi-Fi with faster pairing supported by Bluetooth.
- Use your phone network to control your lights if your Wi-Fi goes down.
- Select your style of lighting fixture by using the handy pairing light on the unit.
- Powered by 12V or 24V power supply.
- Indicator lights which reflect the color of light being controlled.
- Able to be mounted with mounting screws or 3M adhesive pad.
- Fade-to-off option.

Mechanical Drawing

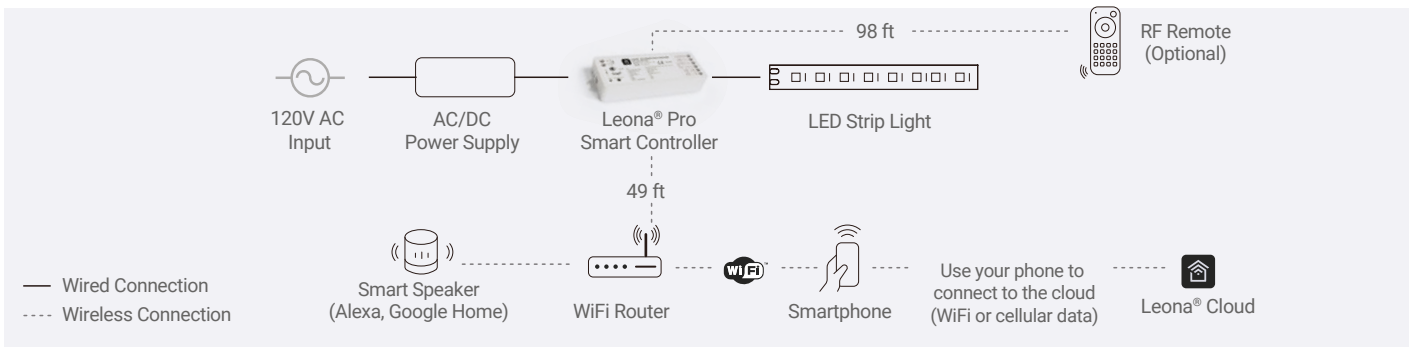


Specifications

| Input Voltage | Input Current | Output Voltage | Output Current | Input Signal | Output Power | IP Rating |
|---------------|---------------|----------------|----------------------------|---|---------------------------------|-----------|
| 12-24V | 15.5A Max | 5 x 12-24V DC | 5 channels, 3A max/channel | Leona® Smart app via Wi-Fi + 2.4 GHz RF | 5 x 36-72W depending on voltage | IP20 |

| Control Distance | Dimming Range | Dimming Curve | PWM Frequency | Operating Temperature | Warranty | Protection |
|-------------------------|---------------|---------------|---------------|--------------------------------|----------|----------------------------------|
| 30M (without obstacles) | 0-100% | Logarithmic | <5mA | -30°C to 55°C (-22°F to 131°F) | 5 Years | Reverse Polarity and Overheating |

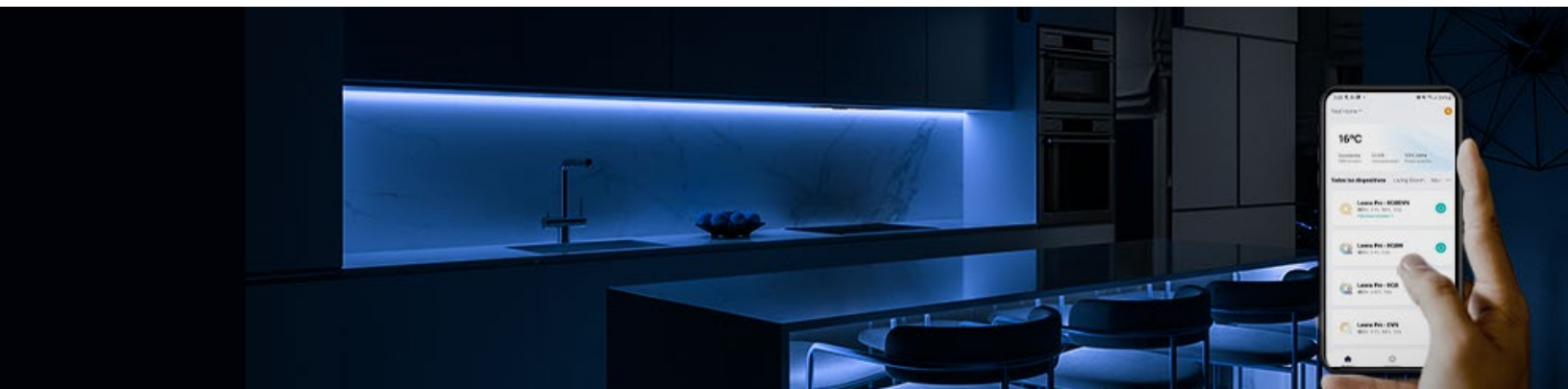
System Setup



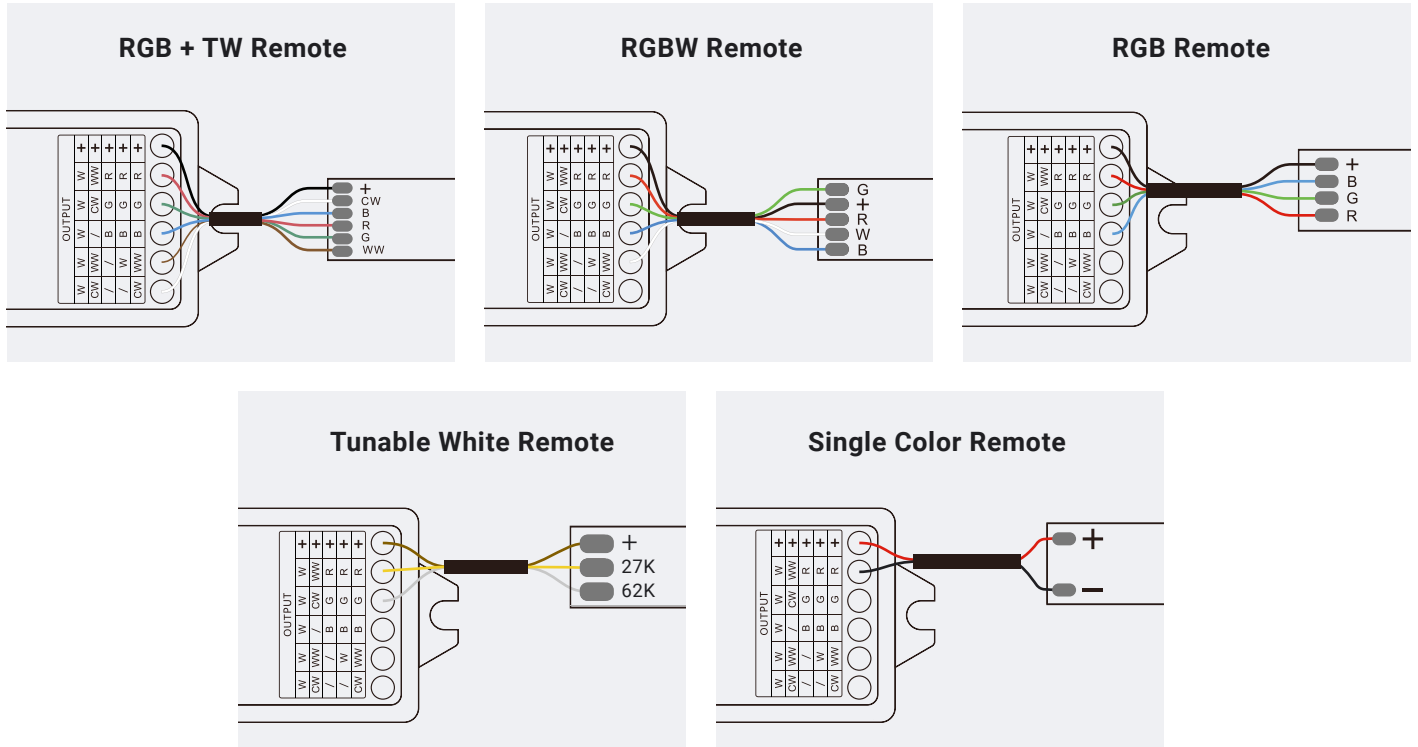
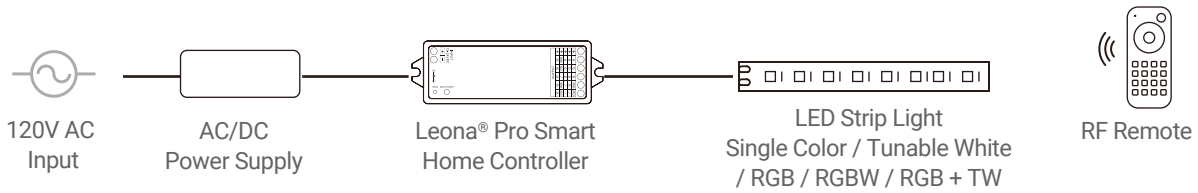
1. The distances shown in the drawing are based on an environment free of any obstructions.
2. Please ensure that you are using the 2.4GHz band of your Wi-Fi router as the 5GHz band is not compatible with the Leona® Smart app.
3. Ensure that your Wi-Fi router is within 15 meters of your Leona® devices and ensure that your Wi-Fi is functioning properly.

CAUTION:

- Do not place the controller in any kind of metal enclosure. Ensure the power supply and LED strip light are using the same operating voltage.
- Do not place anything on or around the controller, power supply or strip light that is not intended to be used with the system.
- Do not place in or around water or in a high humidity environment. Intended for indoor use only.



System Wiring



1. Connect the power supply to the Leona® Pro Controller and wait until the "RUN" light on it starts blinking purple.
2. Once the light is blinking, press the "MATCH/SET" key once to make the "RUN" light a solid color.
3. Once solid, press and hold the "MATCH/SET" key. You'll see the "RUN" light start to change colors (This color change can take a few seconds to start). Release the button when you get to the color assigned to your lights:
 - **Single Color lights:** WHITE/TEAL run light.
 - **Tunable/Dynamic lights:** YELLOW/LIGHT GREEN run light.
 - **RGB lights:** RED run light.
 - **RGBW lights:** GREEN run light.
 - **RGB + Dynamic lights:** BLUE run light.
4. Once you get to your desired color, release the "MATCH/SET" key and follow the instructions in the app to sync the receiver. Make sure you turn on your phone's Bluetooth and WiFi (2.4Ghz WiFi is needed, 5.0Ghz is not compatible).

- NOTES:**
- The "RUN" light colors always follow a pattern so, for example, the GREEN light you see after RED will always be the RGBW while the YELLOW/LIGHT GREEN light you see will always go after TEAL and before RED.
 - If you miss one of the steps or face issues during the setup process, you can start again from scratch by disconnecting the power supply and waiting 10 seconds to connect it again.

Connect to the Leona® Smart App

1. Search for the "Leona® Smart" app from the IOS App Store or Google Play Store. You can also scan the QR code from the product box label. The app is compatible with Android 4.0 and iOS 8.1 or higher.
2. Open the Leona® Smart App and either sign up for a new account or log in with an existing account
3. Apply power to your controller and strip light . Follow the instructions in the Wiring Diagram above to ensure that your controller's "RUN" indicator light is set to the color that is required to run the specific type of strip light that you have. (Single Color/White = White/Teal Light, Tunable White = Yellow/Light Green Light, RGB = Red Light, RGBW = Green Light, RGB+TW = Blue Light)
4. Allow the indicator light to remain a solid, non-blinking color before moving to the next step. For faster pairing assistance in the next step, please ensure that your phone's Wi-Fi and Bluetooth have been turned on.
5. Once you have the desired indicator light color showing, hold down the "MATCH/SET" button again for 2 seconds so that the indicator light starts to blink purple. Then open your Leona® Smart app.
6. Follow the prompts to add a new smart device by either manually adding the product or allowing the app to scan for a new device over Wi-Fi.
7. Please confirm that the phone and controller are using the same Wi-Fi network and that the Wi-Fi being used is a 2.4GHz signal. Please Note: Leona® Smart products are not compatible with 5GHz Wi-Fi signal.
8. Once pairing is complete, you are now able to pair your Leona® Pro Smart Home Controller with third-party smart home apps such as Google Home and Amazon Alexa. Within the Leona® Smart app, however, there are a variety of functions such as dimming, scene control, timers, account sharing and more. App functionality will depend on the model of strip that you are using.

Connect to a Leona® Pro Remote (sold separately)

1. Short press the "MATCH/SET" button on the controller and then immediately press the desired zone key (Keys 1 through 4 on the Leona® Pro Remote) to link the controller to that specific zone on the remote. The LED "RUN" indicator flashing rapidly for a few seconds means that the match was successful.
2. Alternatively, you can use the power restart function built into the controller to pair remotes. Simply switch the power to the controller on and off three times in a row and then immediately press the desired zone key on the remote three times in a row. The LED "RUN" indicator flashing rapidly for a few seconds means that the match was successful.
3. To delete matched remotes from the controller, press and hold the "MATCH/SET" button on the remote for 20 seconds and the remotes previously paired to that controller will no longer be paired.
4. For more specific information about the remotes and their individual functions, please refer to the Leona® Pro Smart Home Remote User Guide.

NOTE: Once your controller is set up with the app and/or remote, if you would like to activate the Fade-to-Off feature simply turn the power to the controller off and on twice then immediately press the MATCH/SET button three times. You can deactivate it using the same process.

Warranty Information

This product has a 5-year limited warranty from the date of shipment. This warranty only includes the main product outlined in this specification sheet and does not include the additional accessories that are used as a reference. Complete warranty details for fixtures and additional accessories are available at: <https://www.flexfireleds.com/warranties/> within the Policies section. For warranty-related questions please contact the product support team at support@flexfireleds.com

Consumer's Acknowledgement

Flexfire LEDs, Inc. stands behind its products when they are used properly and according to our specifications. When you purchase our products, you are agreeing to the terms and conditions outlined in our warranty section. We try our best to make recommendations, but the burden of proper installation, design, and maintenance relies on the purchaser. This limited warranty does not include product failures that are the result of: Not using a voltage-regulated power supply to connect the LED product or controls; Connecting LED products to the wrong output voltage; Improper connection of power supplies, LED products, or controls; Connecting LED products or controls directly to any AC power source if they are stated for DC only input; Connecting power supplies backwards to an AC power source; Products used in an inappropriate location or in environmental conditions (temperature, humidity, moisture, etc.) outside the normal specified range; Water damage to products not specifically sold as waterproof products; Electrical power surges and spikes; Damage from hail, flooding, tornado, fire, wind, earthquake, lightning, electrical storm, or any other natural disasters or "force majeure" incidences; Damage caused by a vehicle or other accident; Damage caused when transporting the item; Damage to any products that were modified by the user, used for purposes other than as intended or directed, or connected to LED systems or components not purchased from Flexfire LEDs; Products that have been subjected to misuse, mishandling, misapplication or accident. Products used in connection with any components, devices or systems other than those explicitly approved as compatible with Company's products and listed on Company's website. Excessive wear and tear and/or physical or accidental abuse, loss, or theft. Improper repairs or warranty services performed by someone other than Flexfire LEDs will void this warranty.

