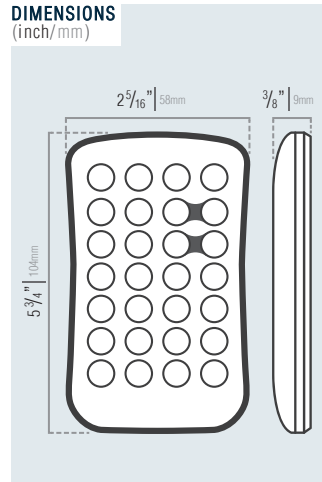
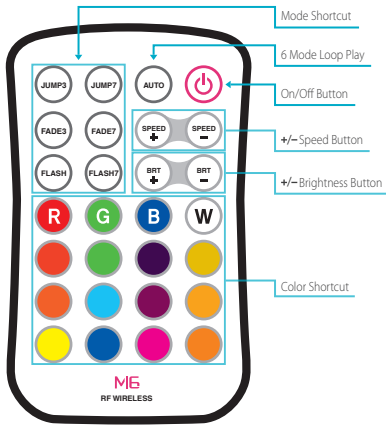




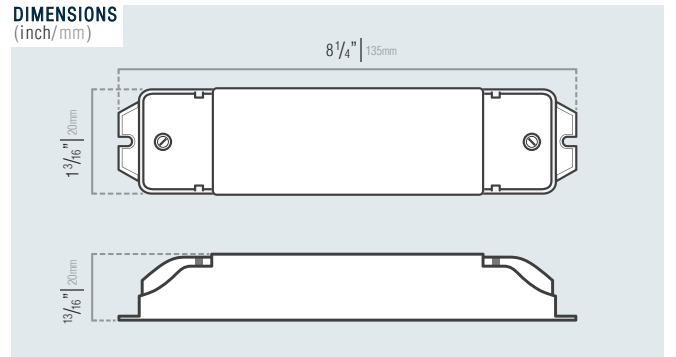
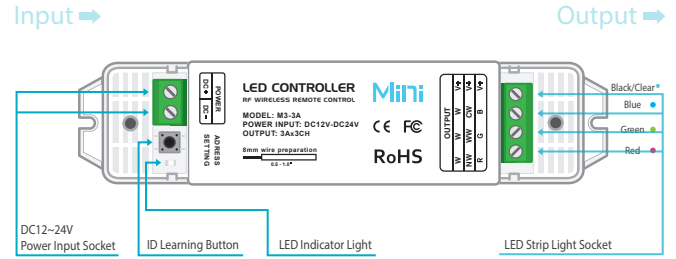
Control



BATTERY

Typical watch battery from local hardware store.  
Replace with CR2032 battery.

Receiver



DETAILS

**PRODUCT NAME** MiniXR Remote Control for RGB Strip Lights

**SKU** MiniXR

**DESCRIPTION** The Remote Control and Receiver Combo for RGB Strip Lights - MiniXR Series uses the most advanced RF wireless transmission technology. The system consists of two parts: the handheld remote control and the in-line receiver.

Allows you to quickly change colors and select a variety of pre-programmed modes such as fading, flashing and strobing. Also allows for speed and brightness control.

This unit is compatible with any RGB (Color Changing) LED strips.

**SUPPLY VOLTAGE** 12 - 24V DC Constant Voltage

**SIGNAL RANGE** 165 ft (50 m)

**OUTPUT CURRENT** 3A x 3 Channels (Max 9A)

**OUTPUT POWER** 12V DC: 108w  
24V DC: 216w

SYNC INSTRUCTIONS

Syncing instructions for the MiniXR controller:

1. Remove (unscrew) the left cover plate on the in-line receiver. Located next to the ADDRESS SETTING label you will find the small black ID Learning Button and the red LED indicator light.
2. The red LED indicator light will blink at a slow pace which simply tells you that the in-line receiver is receiving power from the power supply.
3. Now quickly press the little black ID Learning Button once. The red LED indicator light will turn solid. While it is solid, touch any button on the handheld remote control. The red LED indicator light will blink rapidly for a moment to notify you that it has been synced correctly with that particular handheld remote control. Then it will blink at the slow rate as in step 2.