

# PRODUCT DATA SHEET

---

## UltraBright™ Slim Series



7 Year  
Warranty



# Description

The UltraBright™ Slim Series is an ultra-thin 1/8" (3.5mm wide) strip light that is outfitted with very bright LED chips and a strong adhesive backing. The thin design of the strip has been constructed for high brightness, optimal heat dissipation, consistency of color, and good color rendering. It is one of the narrowest LED strip lights on the market. These strips are great for providing elegant, discreet lighting and are commonly used by architects and lighting designers in professional installations, as well as by OEMs within their products.

# Product Features

- High CRI of 80+
- Highest Brightness - Up to 366 Lumen/ft (1,200/Meter)
- Fully dimmable
- Highest quality components and premium packaged 3014 LEDs
- Single BIN LED selection to ensure color consistency (3-Step MacAdam)
- Thermally Resistant 3M VHB 4930 adhesive for long lasting bond
- 120° Beam Angle
- Efficiency up to 83 lm/W
- Ultra Slim! Only 1/8" (3.5mm) strip width
- Short LED pitch of 3/8" (9mm)
- 12V DC Input (24V available by special order)
- Can be cut every 1" (25.4mm)
- 36 LEDs / Foot (120 / Meter)
- Thick double layer 2 oz copper PCB for excellent thermal management
- Operating Temperature -4°F to +104°F (-20°C to 40°C)
- Maximum Length in Series 9ft 10in (3 Meters)

# Product Specific Specifications

Product. SKU	Color* (CCT)	Watts / foot (Meter)	Lumen / foot (Meter)	Luminous efficacy (Lumens / Watt)	CRI	Gamut Score Rg (Color Sat.)	Relative Fidelity Score (RF)
UB-SS-24K	2400K	4.4 W/ft 14.4 W/m	340 lm/ft (1,115 lm/m)	Coming Soon	Coming Soon	Coming Soon	Coming Soon
UB-SS-27K	2700K	4.4 W/ft 14.4 W/m	344 lm/ft (1,128 lm/m)	Coming Soon	Coming Soon	92.6	82.3
UB-SS-30K	3000K	4.4 W/ft 14.4 W/m	335 lm/ft (1,009 lm/m)	76 lm/W	82	94.8	81.9
UB-SS-42K	4200K	4.4 W/ft 14.4 W/m	350 lm/ft (1,148 lm/m)	80 lm/W	82	Coming Soon	Coming Soon
UB-SS-62K	6200K	4.4 W/ft 14.4 W/m	366 lm/ft (1,200 lm/m)	83 lm/W	81	Coming Soon	Coming Soon

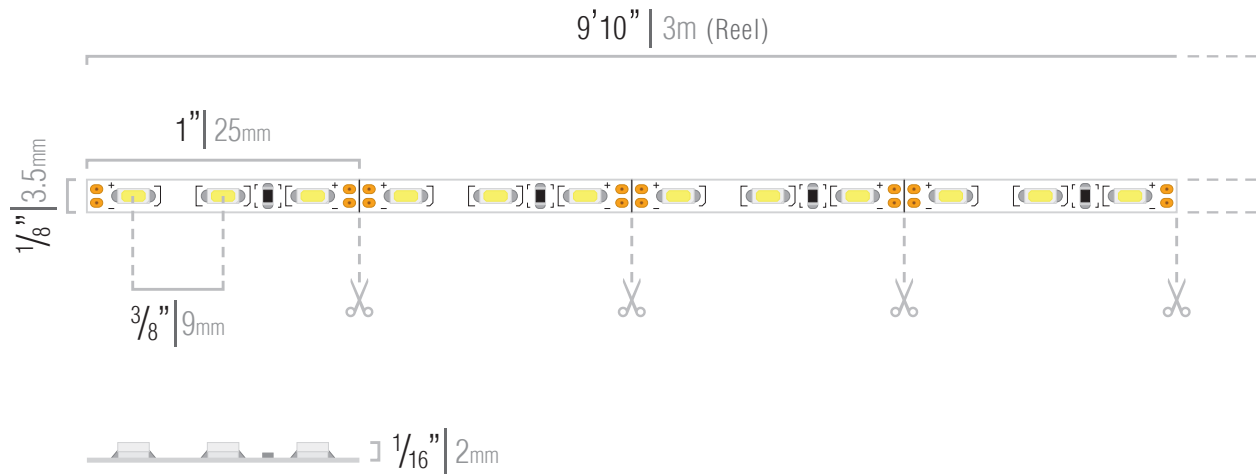
\*CCT may be +/-100K but always ordered from same bin and will present no noticeable differences perceived by the human eye.

# Ordering Code

## INDOOR

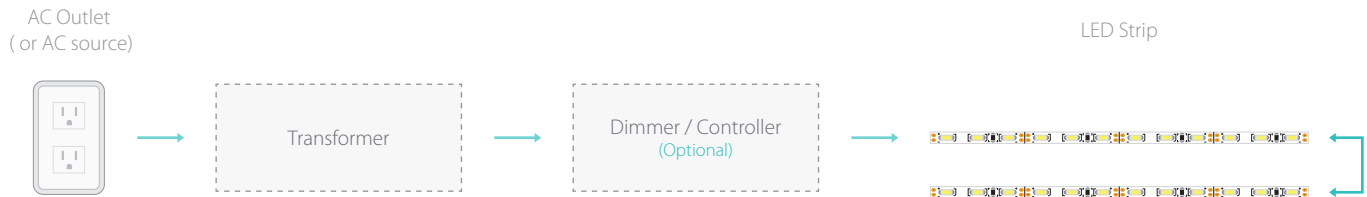
Brand	Series	CCT	Voltage	Length
UB - UltraBright	SS - Slim	24K - 2400K 27K - 2700K 30K - 3000K 42K - 4200K 62K - 6200K	12V 24V - (Special)	01 FT - Under 10 ft 10 FT - 10 ft Reel

# Dimensions

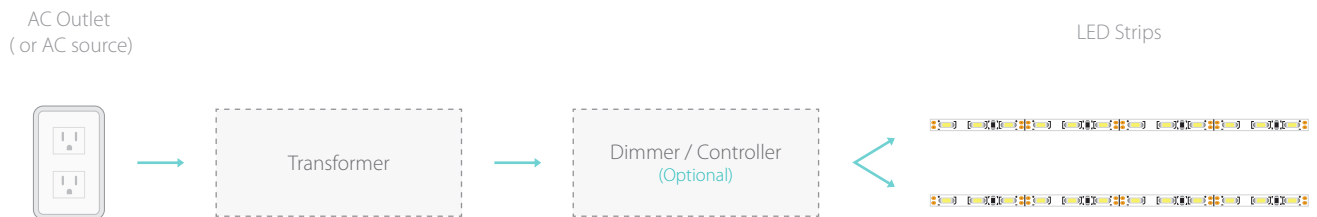


# Example Installation and Layout

## IN SERIES

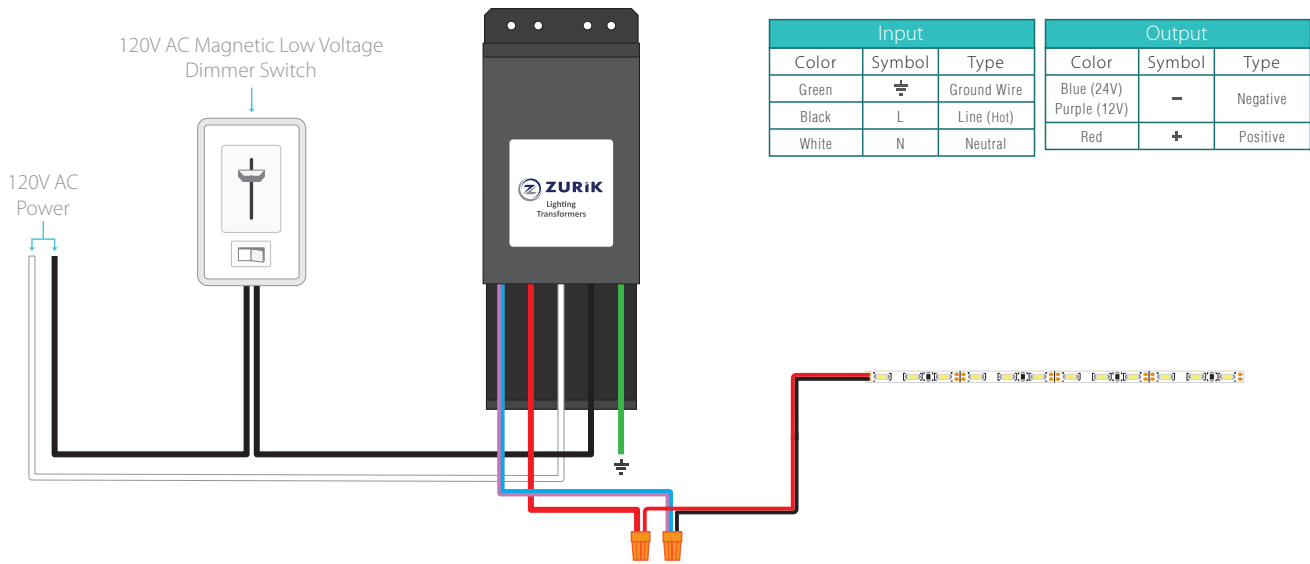


## IN PARALLEL

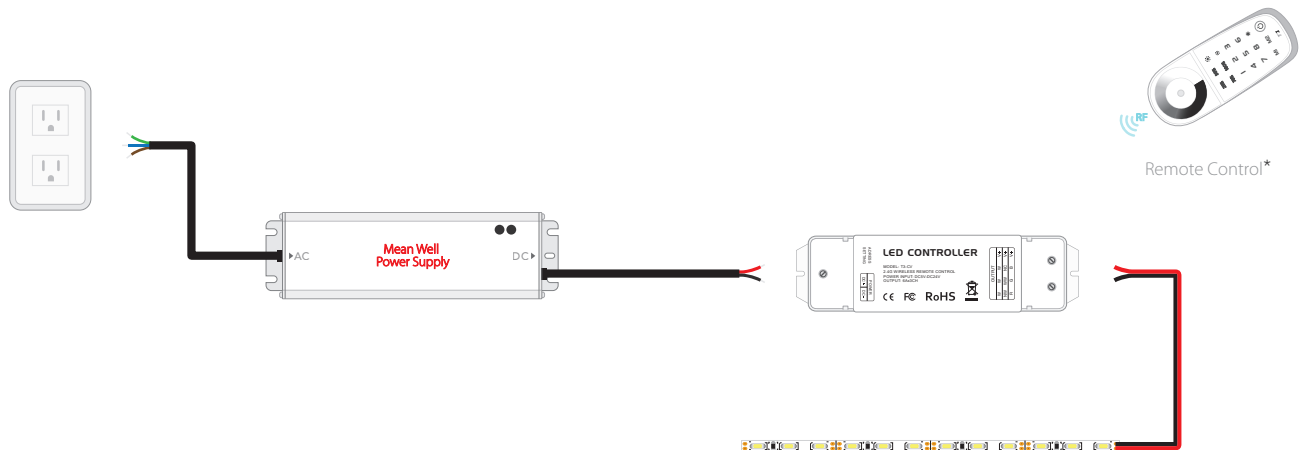


# Dimming Options

## Lutron Style Wall Dimmer

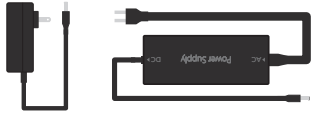
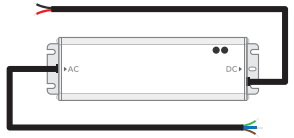

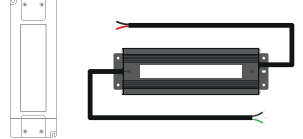
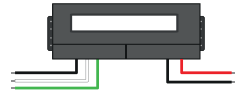


## In-Line Dimming



\* Remote Control (SKU: SC-MZ-CTRL) can be paired to 8 total receivers. Multiple remotes cannot be paired to a single receiver (max 1 remote per receiver).

# Compatible Drivers (12V)

	Power Supply	LED Strip Length	SKU	Diagram
Non-Dimmable	Wall Mounted Power Supply / Desktop Power Supply	1 - 2 ft	12V-WMPS-1	
		3 - 5 ft	12V-DPS-2	
		6 - 8 ft	12V-DPS-4	
		9 - 13 ft	12V-DPS-6	
		14 - 18 ft	12V-DPS-8	
Non-Dimmable	Mean Well™ HLG	1 - 7 ft	HLG-40H-12A	
		8 - 12 ft	HLG-80H-12A	
		13 - 23 ft	HLG-120H-12A	
		24 - 29 ft	HLG-150H-12A	
		30 - 37 ft	HLG-240H-12A	
		38 - 51 ft	HLG-320H-12A	
		52 - 92 ft	HLG-600H-12A	
Non-Dimmable	Mean Well™ LPV	2 - 4 ft	LPV-20-12	
		5 - 7 ft	LPV-35-12	
		8 - 12 ft	LPV-60-12	
		13 - 19- ft	LPV-100-12	
Dimmable	Zurik® EMLV	1 - 6 ft	ZRK-EMLV2-30W-12VDC	
		7 - 11 ft	ZRK-EMLV2-60W-12VDC	
		12 - 24 ft	ZRK-EMLV2-120W-12VDC-J	
		25 - 38 ft	ZRK-EMLV2-200W-12VDC-J	
		39 - 56 ft	ZRK-EMLV2-300W-12VDC-J	
Dimmable	Zurik® Universal Drivers	1 - 11 ft	ZRK-UNV-60W-12VDC	
		12 - 22 ft	ZRK-UNV-120W-12VDC	
		23 - 40 ft	ZRK-UNV-200W-12VDC	
		41 - 62 ft	ZRK-UNV-300W-12VDC	

# Compatible Aluminum Extrusions

## ▶ KLUS GIP Anodized Extrusion

(SKU: KL-B4574ANODA-1m)



### Covers

- G-L Frosted Cover (SKU: KL-00413-1m)

### End Caps

- GIP - L End Cap without Wire Hole (SKU: KL-00306)

### Mounting Accessories

- GP Surface Spring (SKU: KL-00293)
  - minimum surface thickness 10mm (3/8")
- Mounting Bracket (SKU: KL-24143)

## ▶ GIZA Anodized Extrusion

(SKU: KL-B5556ANODA-1m)



### Covers

- HS 22 Clear Cover (SKU: KL-17022-1m)
- HS 22 Frosted Cover (SKU: KL-17011-1m)

### End Caps

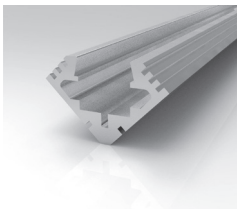
- GIZA End Cap without Wire Hole (SKU: KL-24007)

### Mounting Accessories

- GP Surface Spring (SKU: KL-00293)
  - minimum surface thickness 10mm (3/8")
- Mounting Bracket (SKU: KL-24143)

## ▶ 45-ALU Anodized Extrusion

(SKU: KL-B4023ANODA-1m)



### Covers

- HS Clear Cover (SKU: KL-1370-1m)t
- HS Frosted Cover (SKU: KL-1369-1m)
- LIGER Frosted Cover (SKU: KL-17031-1m)

### End Caps

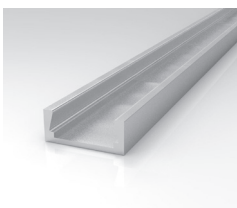
- 45-ALU End Cap without Wire Hole (SKU: KL-1383)
- 45-ALU End Cap with Wire Hole (SKU: KL-1440)

### Mounting Accessories

- Zinc Mounting Bracket (SKU: KL-1399)
- NOTE:** All solderless connectors do not fit inside this aluminum extrusion.

## ▶ KLUS MICRO-ALU Anodized Extrusion

(KL-B1888ANODA-1m)



### Covers

- HS Clear Cover (SKU: KL-1370-1m)t
- HS Frosted Cover (SKU: KL-1369-1m)
- LIGER Frosted Cover (SKU: KL-17031-1m)

### End Caps

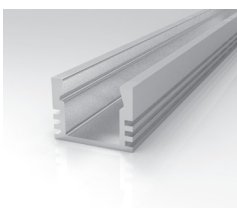
- MICRO-ALU End Cap without Wire Hole (SKU: KL-1059)
- MICRO-ALU End Cap with Wire Hole (SKU: KL-1060)

### Mounting Accessories

- Zinc Mounting Bracket (SKU: KL-1072)
- NOTE:** All solderless connectors do not fit inside this aluminum extrusion.

## ▶ KLUS PDS4-ALU Anodized Extrusion

(KL-B1718ANODA-1m)



### Covers

- HS Clear Cover (SKU: KL-1370-1m)t
- HS Frosted Cover (SKU: KL-1369-1m)
- LIGER Frosted Cover (SKU: KL-17031-1m)

### End Caps

- PDS4-ALU End Cap without Wire Hole (SKU: KL-1055)
- PDS4-ALU End Cap with Wire Hole (SKU: KL-1057)

### Mounting Accessories

- Zinc Mounting Bracket (SKU: KL-1072)
- NOTE:** All solderless connectors do not fit inside this aluminum extrusion.

# Safety And Disclosures

1. Installation must be in accordance with local and national electrical code regulations.
2. To ensure safety and correct installation, our strips are intended to be installed by a qualified, licensed electrician.
3. Only install with a Class 2 DC Constant Voltage LED driver to meet UL requirements.
4. Do not install in environment where excessive heat may occur.
5. LED strip lights must be handled with care. Excessive handling, bending, and pressure may damage the product, voiding the warranty.
6. Do not install indoor LED tape light products in outdoor / wet location environments. Only use copper wiring. Use wires rated for at least 176°F (80°C) and certified for use with external connection of electrical equipment.
7. Each maximum run requires a dedicated power feed from the driver. Do not extend beyond the recommended maximum run length.
8. Make sure the appropriate gauge wire is installed between driver, LEDs, and any dimmers. When choosing wire, calculate voltage drop, maximum amperage rating, and the location ratings on the wire. Improper wire selection and installation could overheat wires, and cause fire.
9. Do not modify product beyond instructions or warranty will be void.
10. We reserve the right to modify and improve the design of our fixtures without prior notice. Although we try our best to order the same colors every time, due to changes in technology and phosphors over time, we cannot guarantee to match existing installed fixtures for subsequent orders or replacements in regards to product appearance, CCT, or lumen output.

# Warranty Information

## Limited Warranty

This product has a 7 year limited warranty from the date of shipment. This warranty only includes the main product outlined in this specification sheet and does not include the additional accessories that are used as a reference. Complete warranty details for fixtures and additional accessories are available at <https://www.flexfireleds.com/warranties/> within the Policies section. For warranty related questions please contact product support team at ([support@flexfireleds.com](mailto:support@flexfireleds.com)).

## Consumer's Acknowledgment

Flexfire LEDs, Inc. stands behind its products when they are used properly and according to our specifications. When you purchase our products, you are agreeing to the terms and conditions outlined in our warranty section. We try our best to make recommendations, but the burden of proper installation, design, and maintenance relies on the purchaser.

## This limited warranty does not include product failures that are the result of:

Not using a voltage regulated power supply to connect the LED product or controls; Connecting LED products to the wrong output voltage; Improper connection of power supplies, LED products, or controls; Connecting LED products or controls directly to any AC power source if they are stated for DC only input; Connecting power supplies backwards to an AC power source; Products used in an inappropriate location or in environmental conditions (temperature, humidity, moisture, etc.) outside the normal specified range; Water damage to products not specifically sold as waterproof products; Electrical power surges and spikes; Damage from hail, flooding, tornado, fire, wind, earthquake, lightning, electrical storm, or any other natural disasters or "force majeure" incidences; Damage caused by a vehicle or other accident; Damage caused when transporting the item; Damage to any products that were modified by the user, used for purposes other than as intended or directed, or connected to LED systems or components not purchased from Flexfire LEDs; Products that have been subjected to misuse, mishandling, misapplication or accident. Products used in connection with any components, devices or systems other than those explicitly approved as compatible with Company's products and listed on Company's website. Excessive wear and tear and/or physical or accidental abuse, loss, or theft. Improper repairs or warranty services performed by someone other than Flexfire LEDs will void this warranty.